



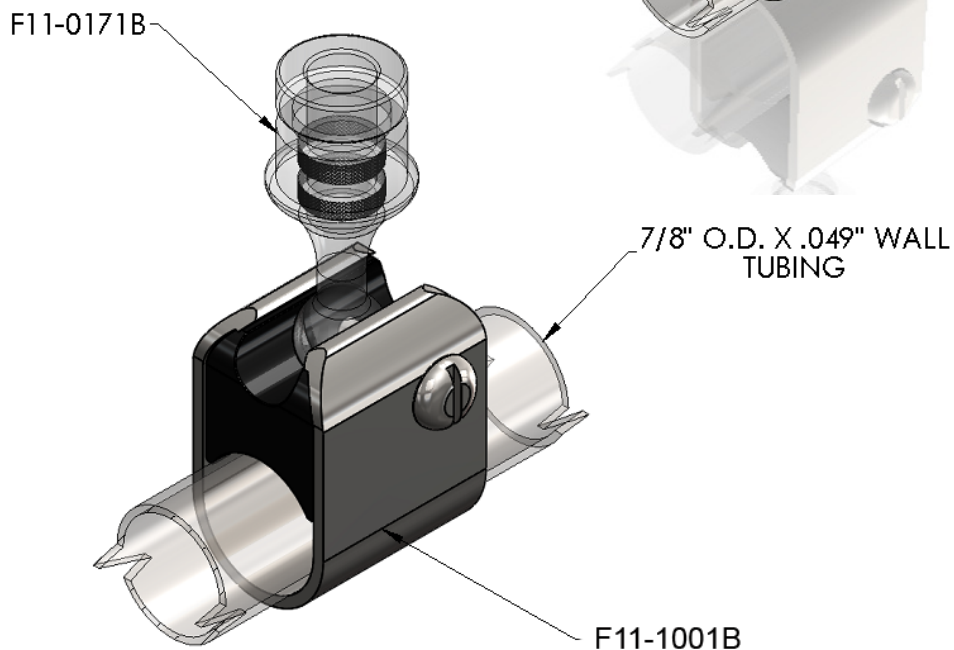
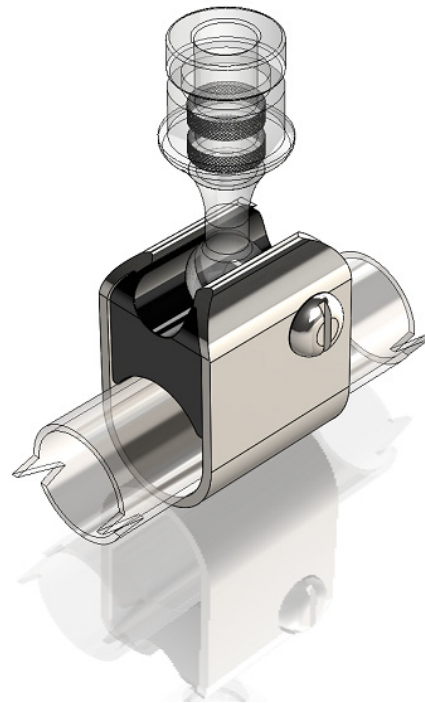
## HYBRID STAMPED JAW SLIDE FOR 7/8" TUBE



The Hybrid Stamped Jaw Slide is made from Type-316L stainless steel and is the newest addition to our unique line of Ball & Socket top fittings, which look amazing and are built to last a lifetime. The Hybrid Jaw Slide fits 7/8" tube. Its high-strength nylon insert eliminates rattle, provides quiet and smooth movement, greater rotation and flexibility for canvas top operation.

### FEATURES & BENEFITS

- Patent-pending ball & socket pivot design provides full 360° rotation
- Nylon insert provides tight, rattle-free fit and smooth operation
- Polish finish on a Type-316L stainless-steel jacket
- Uses a slotted 1/4"-20 stainless-steel fastener (included)



w tacomarine.com | ph 800.653.8568 | e info@tacomarine.com



PART NUMBER	DESCRIPTION	TUBE SIZE OD	WALL TUBING	UPC
F11-1001B	Hybrid Stamped Jaw Slide for 7/8" Tube	7/8"	.49"	630962089586